

# mmWave EVMs Deep Dive

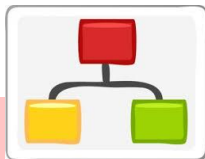
# Agenda



## mmWave EVM Terminologies

---

- BoosterPack EVM (BOOST)
- DevPack EVM



## EVM Block Diagrams

---

- BoosterPack EVM Block Diagram
- DevPack EVM Block Diagram



## Connectivity Ecosystem

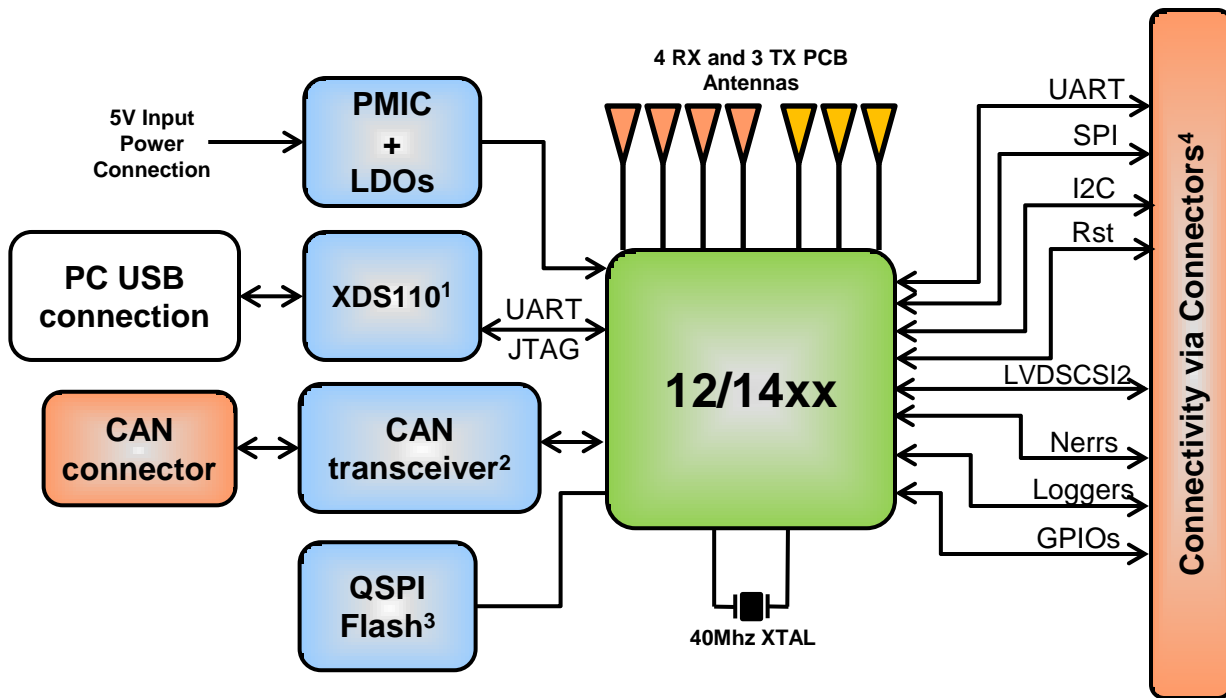
---

- Platforms
- Connectivity with TI LaunchPad
- Connectivity with TSW1400

# mmWave EVM Terminologies

- **Booster Pack EVMs – “BoosterPack”**
  - These are EVM boards with mmwave SOC onboard
  - Allows plug-in capability to interface with LaunchPads for developers to explore different applications enabled by TI microcontrollers
  - 12/14xx BoosterPack and 16xx BoosterPack available
- **Development Packs – “DevPack”**
  - Add on board for particular set of BoosterPack EVMs to support higher capability of debug during development
  - Allows connectivity with PC for analyzing Radar data during development
  - DevPack EVM is compatible for both 12/14xx and 16xx BoosterPack

# 12/14xx BoosterPack Block Diagram



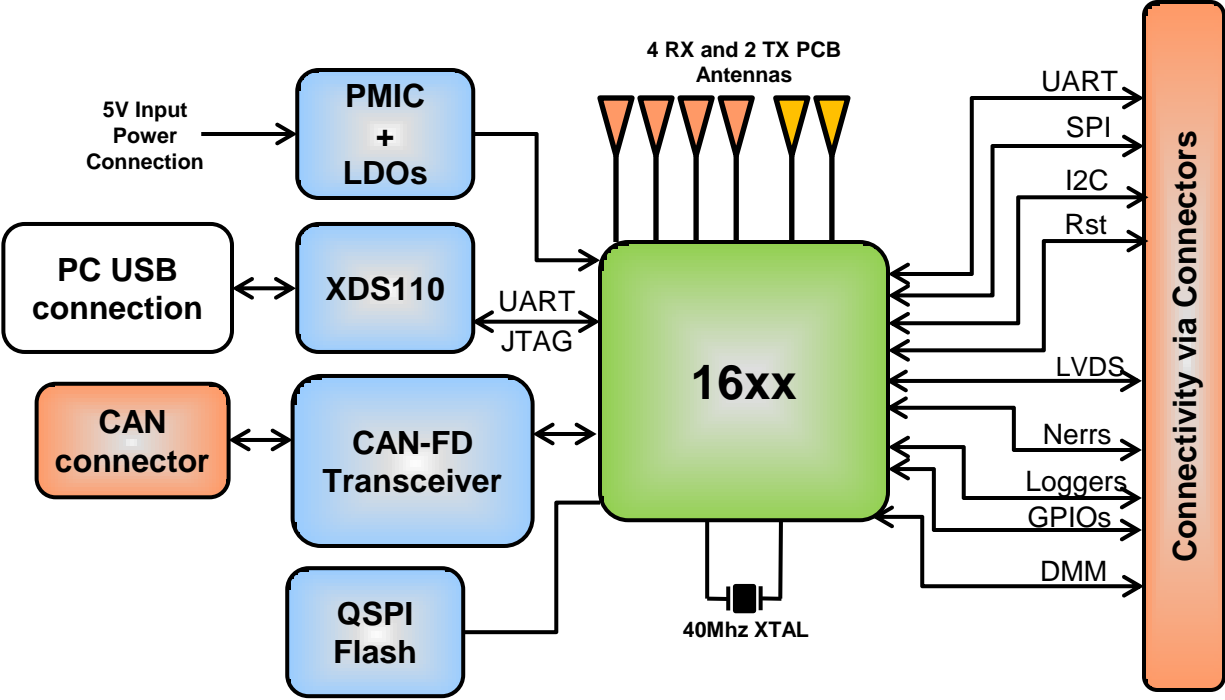
<sup>1</sup> XDS110 not available for 12xx BoosterPack

<sup>2</sup> CAN support not available for 12xx BoosterPack

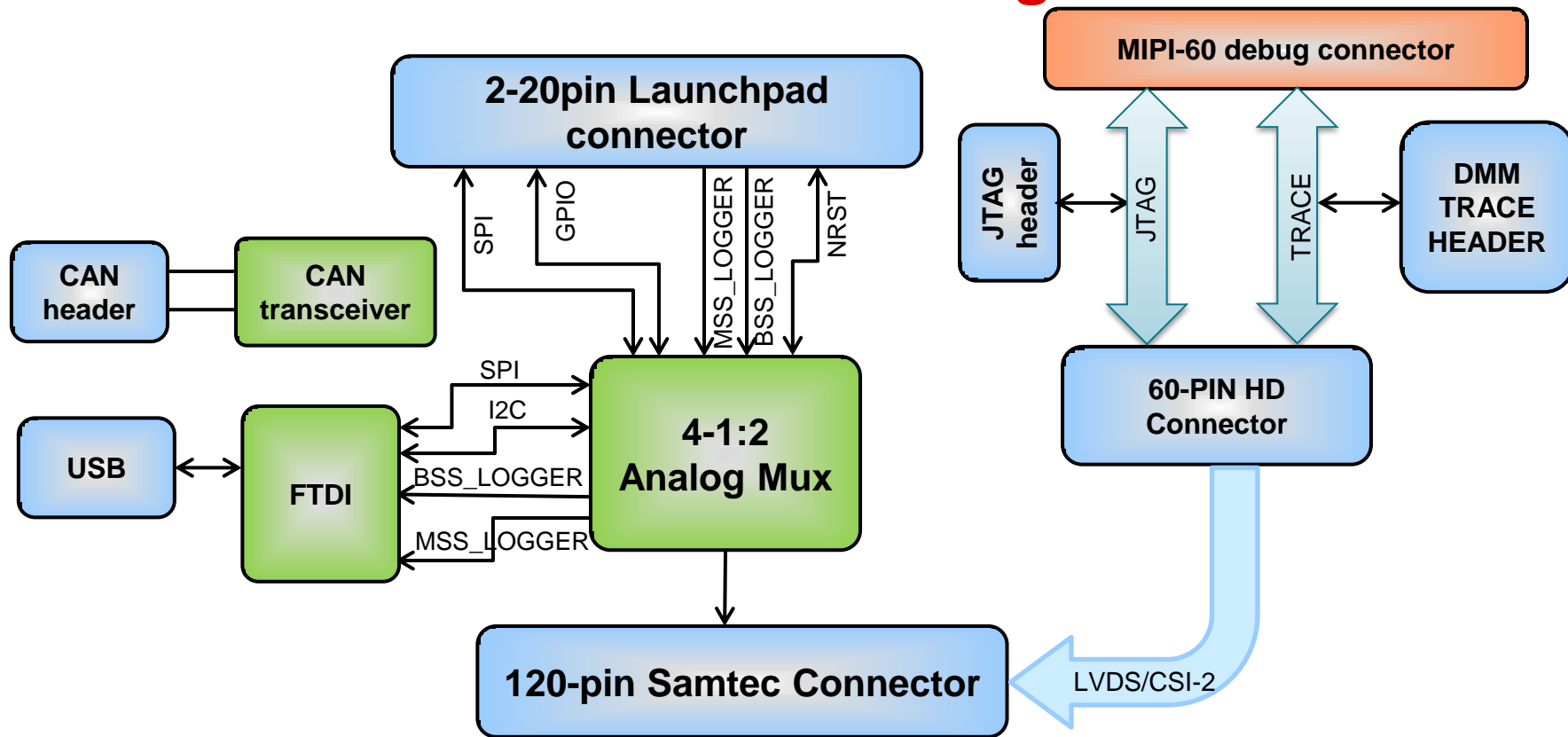
<sup>3</sup> QSPI flash support is not a use scenario for 12xx BoosterPack

<sup>4</sup> 12xx BoosterPack: only SPI for configuration and LVDS/CSI2 for data transfer

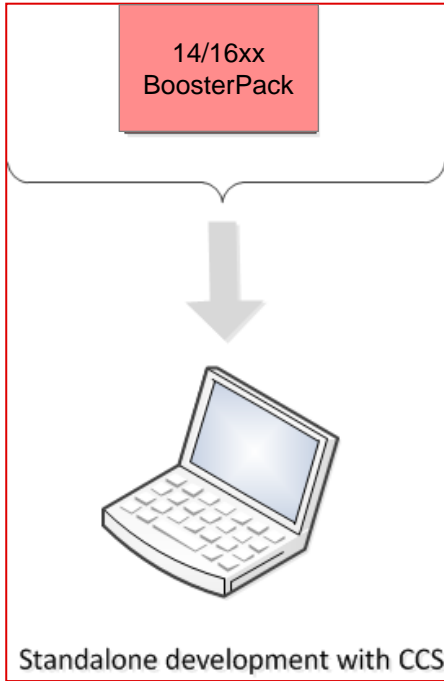
# 16xx BoosterPack Block Diagram



# 12/14/16xx DevPack EVM Block Diagram

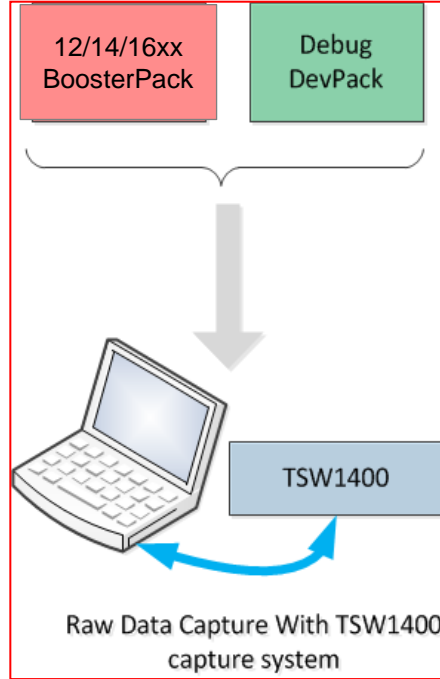


# Connectivity Ecosystem



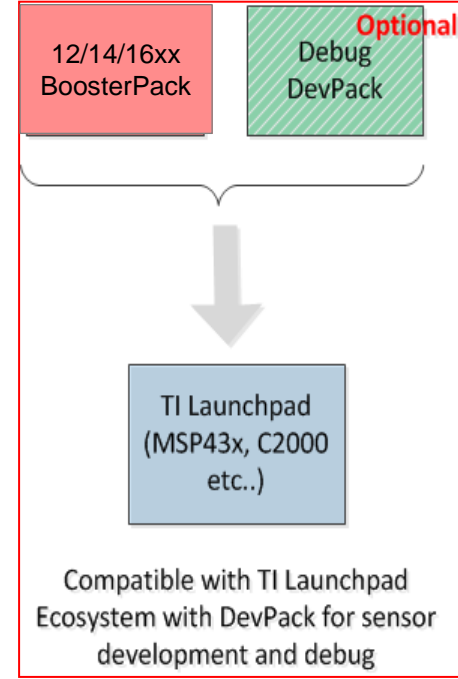
Basic Use Case

*SW  
Development*



Legacy Interface

*Data Collection  
System / Algo Development*



TI Ecosystem

*Prototyping*

Development pack is needed for Trace,  
120 pin TSW1400 interface.

# Hardware Platforms

## 14/16xx BOOST



## 12/14/16xx + TSW1400



## 12/14/16xx + TI launch pad



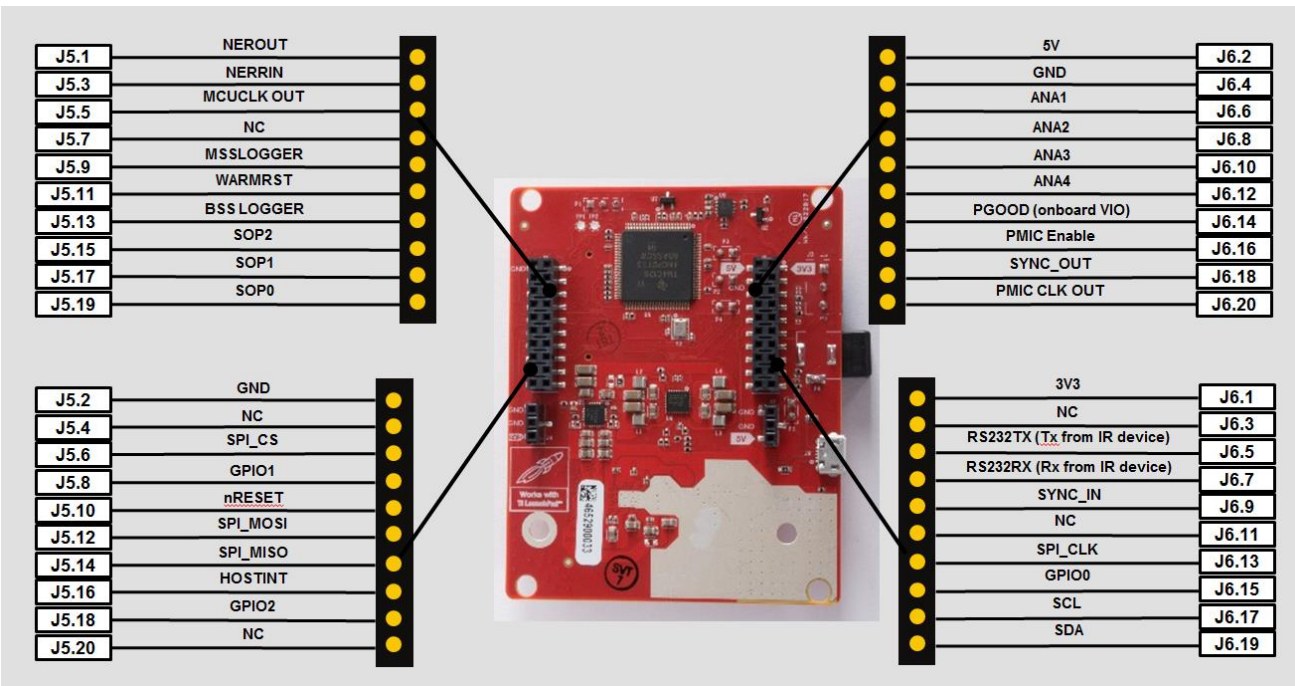
- Enables evaluation of single chip mmWave sensor
- 4Rx/3Tx FMCW transceiver with radar signal processing for range/doppler/angle FFT, computation and detection
- Proximity sensor demo

- Enables RF performance evaluation
- Raw ADC capture into PC and then post process
- mmWave Studio to visualize object range/velocity/angle

- Enables RF performance evaluation
- Enables wireless connectivity, graphical display



# BoosterPack Header Pin-out



# Connectivity with TI LaunchPad

