

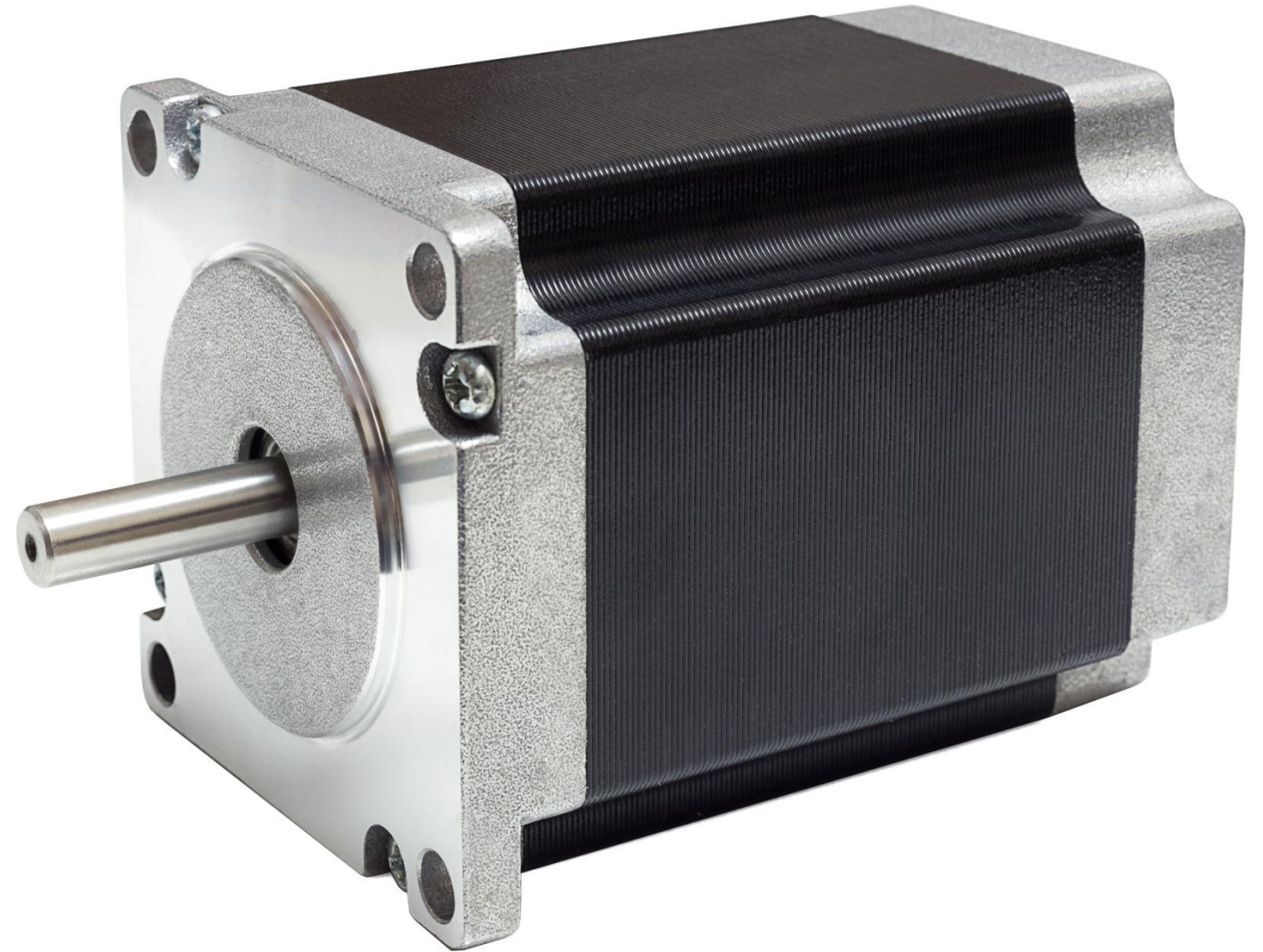
Stepper Motor 2: Drive Circuit

TI Precision Labs – Motor Drivers

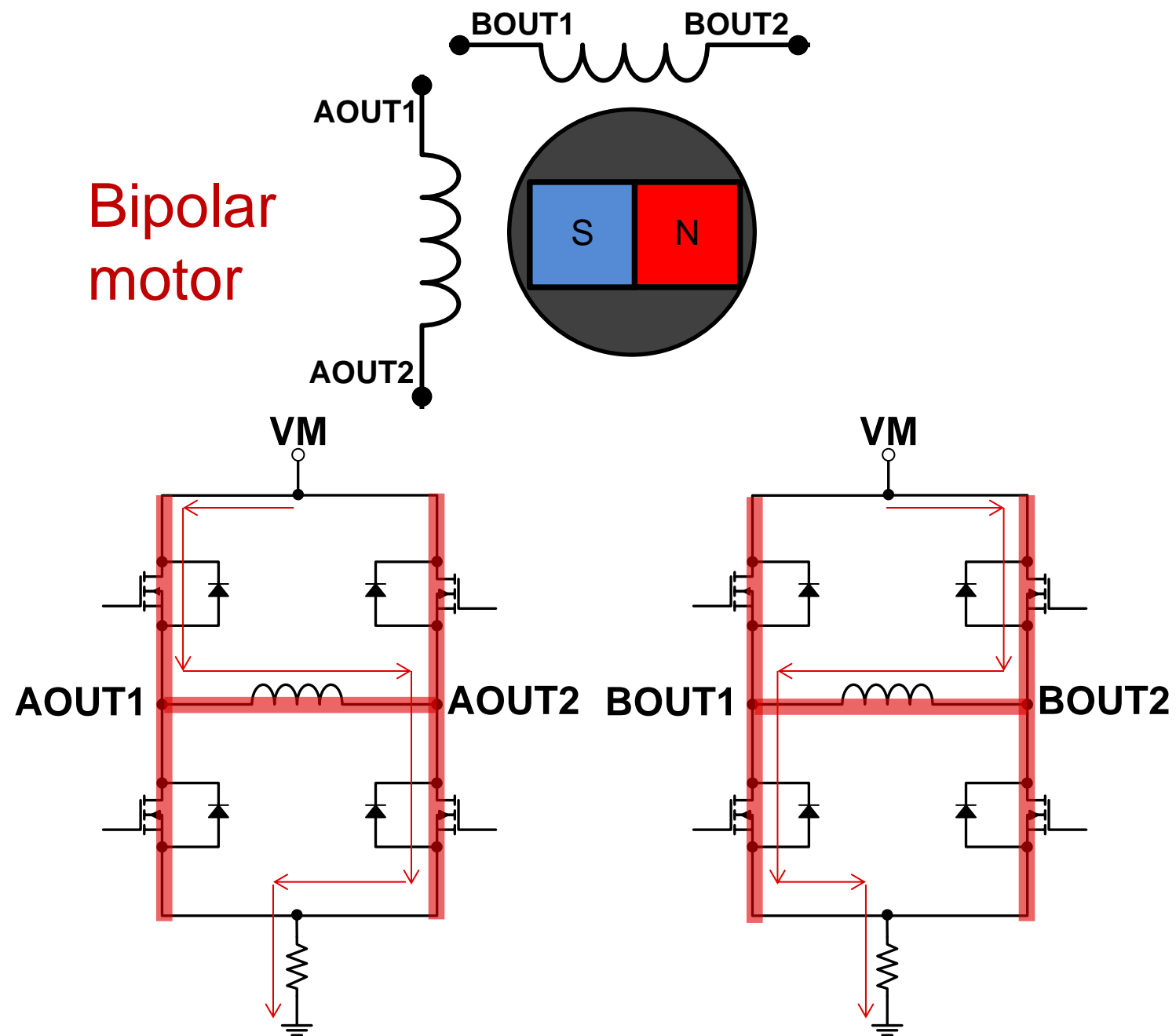
Presented and prepared by Rick Duncan

What is a stepper motor?

- Basic function: uses electrical signals to control rotor position
- Advantages:
 - Hold rotor in place for long periods of time
 - Precise positioning without sensors
 - Low cost
 - Easy to control



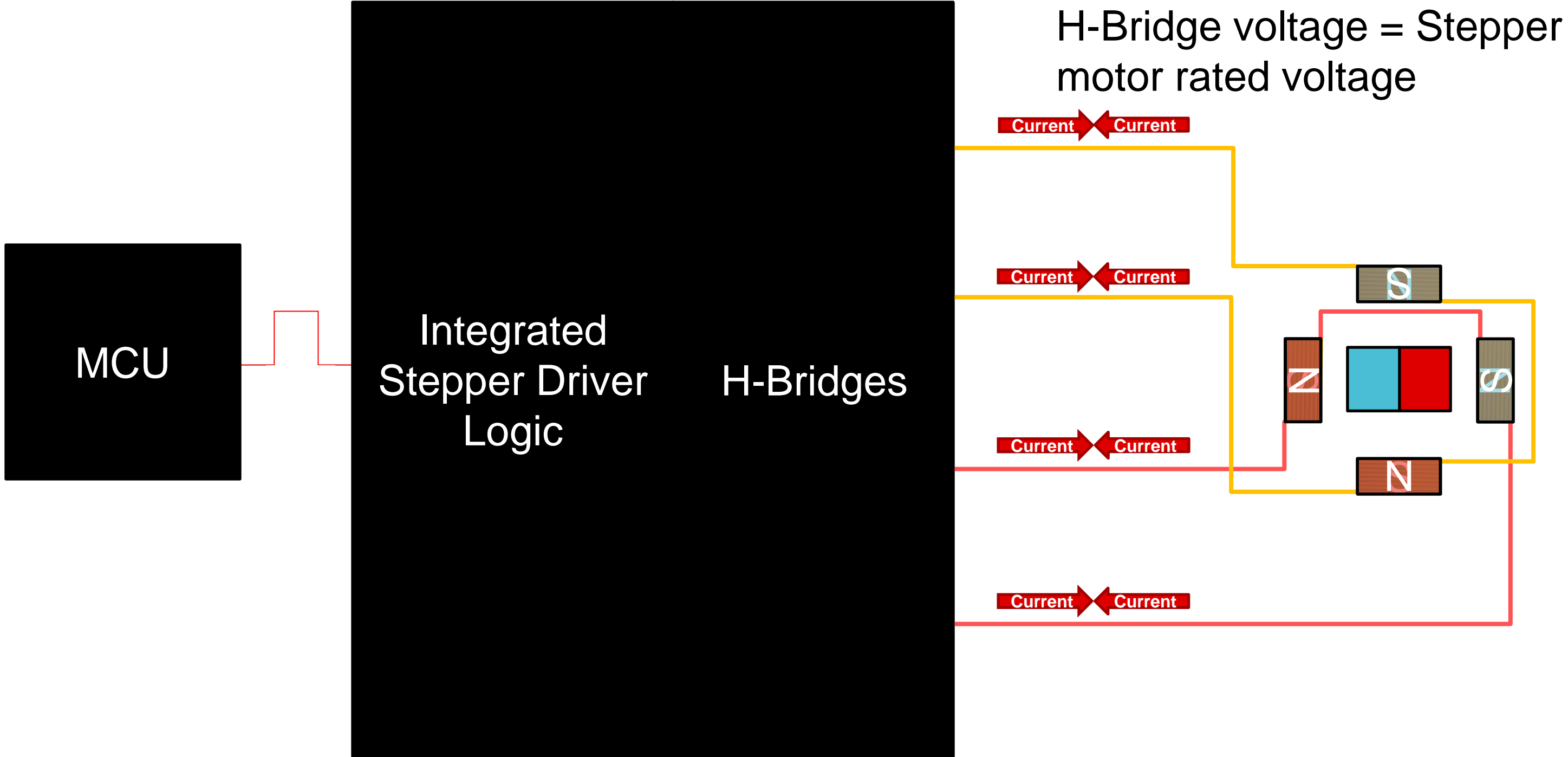
Bipolar steppers



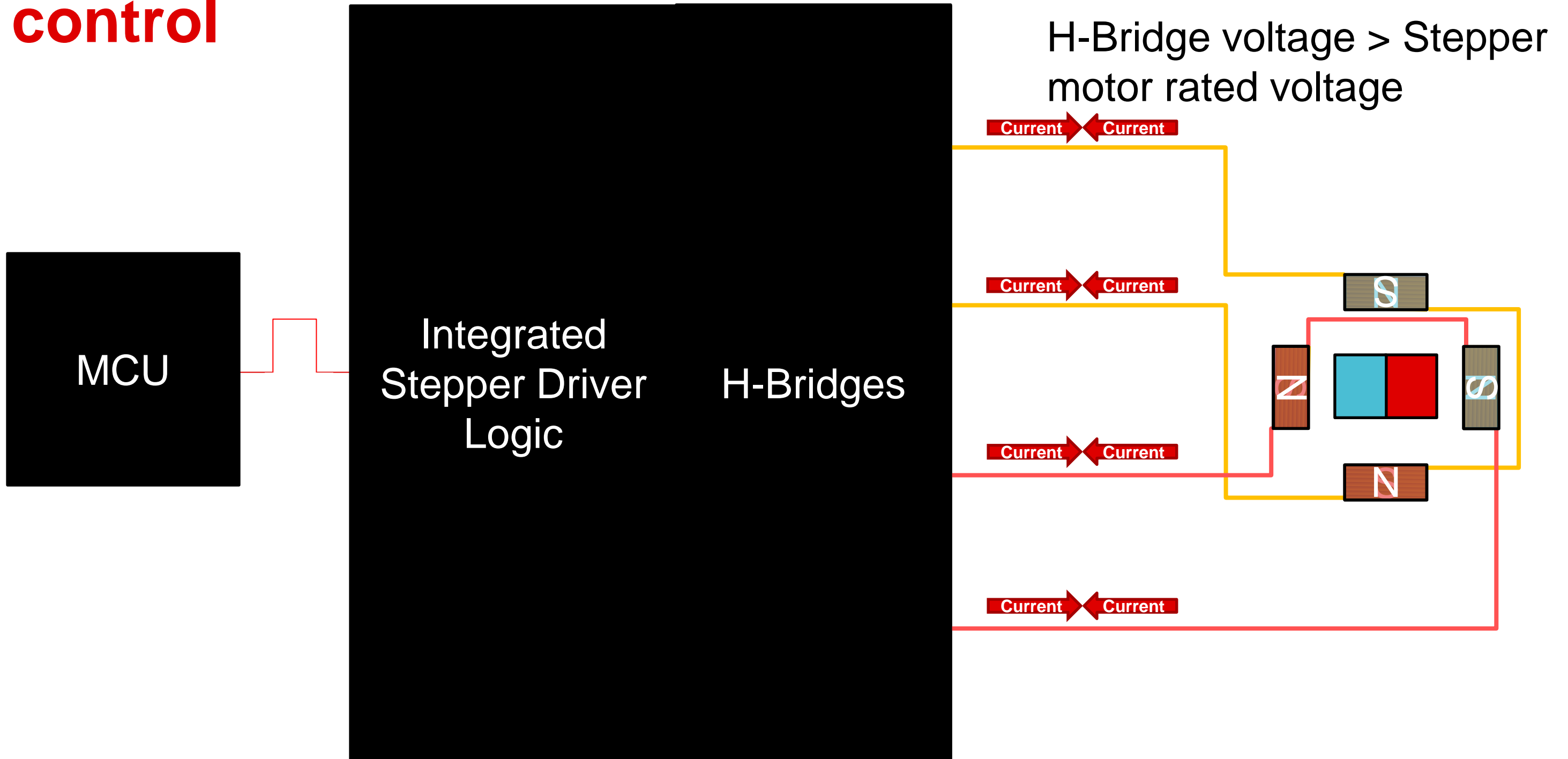
Basic stepper driving



Basic bipolar stepper drive circuit



Advanced bipolar stepper drive circuit with current control



To find more stepper driver technical resources and search products, visit <http://www.ti.com/motor-drivers/stepper-driver/overview.html>



© Copyright 2018 Texas Instruments Incorporated. All rights reserved.

This material is provided strictly “as-is,” for informational purposes only, and without any warranty.
Use of this material is subject to TI’s **Terms of Use**, viewable at TI.com

Resources

- [1] “[Technology – Stepper Motors and Drivers](http://www.orientalmotor.com)” www.orientalmotor.com