

What is USB Battery Charging 1.2 (USB BC 1.2)?

TI Precision Labs – USB

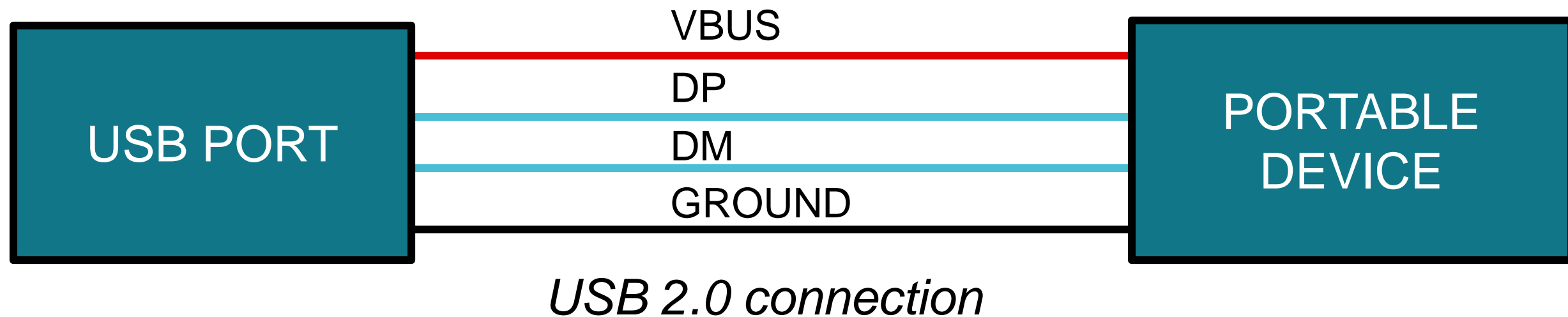
Prepared by Julie Nirchi

Presented by Nicholas Malone

Charging over USB

computer, ac adapter,
car port, etc.

phone, tablet,
handheld electronics



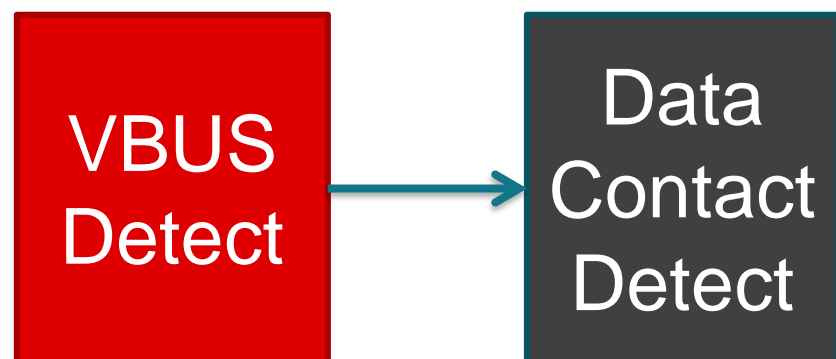
Common USB charging terminology

- **Portable Device (PD)** Device to be charged
- **Standard Downstream Port (SDP)** USB data + current (500 mA for USB 2.0)
- **Charging Downstream Port (CDP)** USB data + 1.5A of current
- **Dedicated Charging Port (DCP)** No data + 1.5A of current

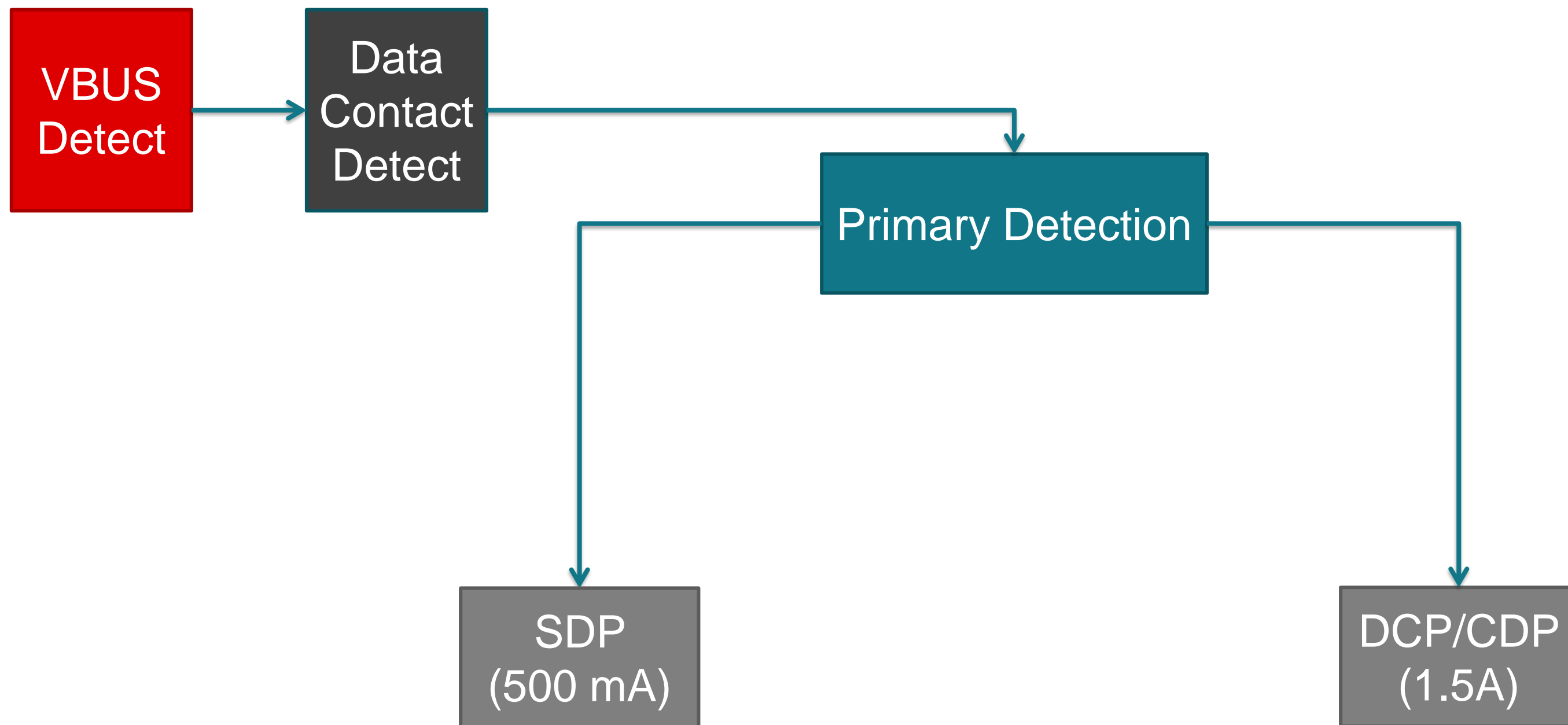
Charger detection by a portable device

VBUS
Detect

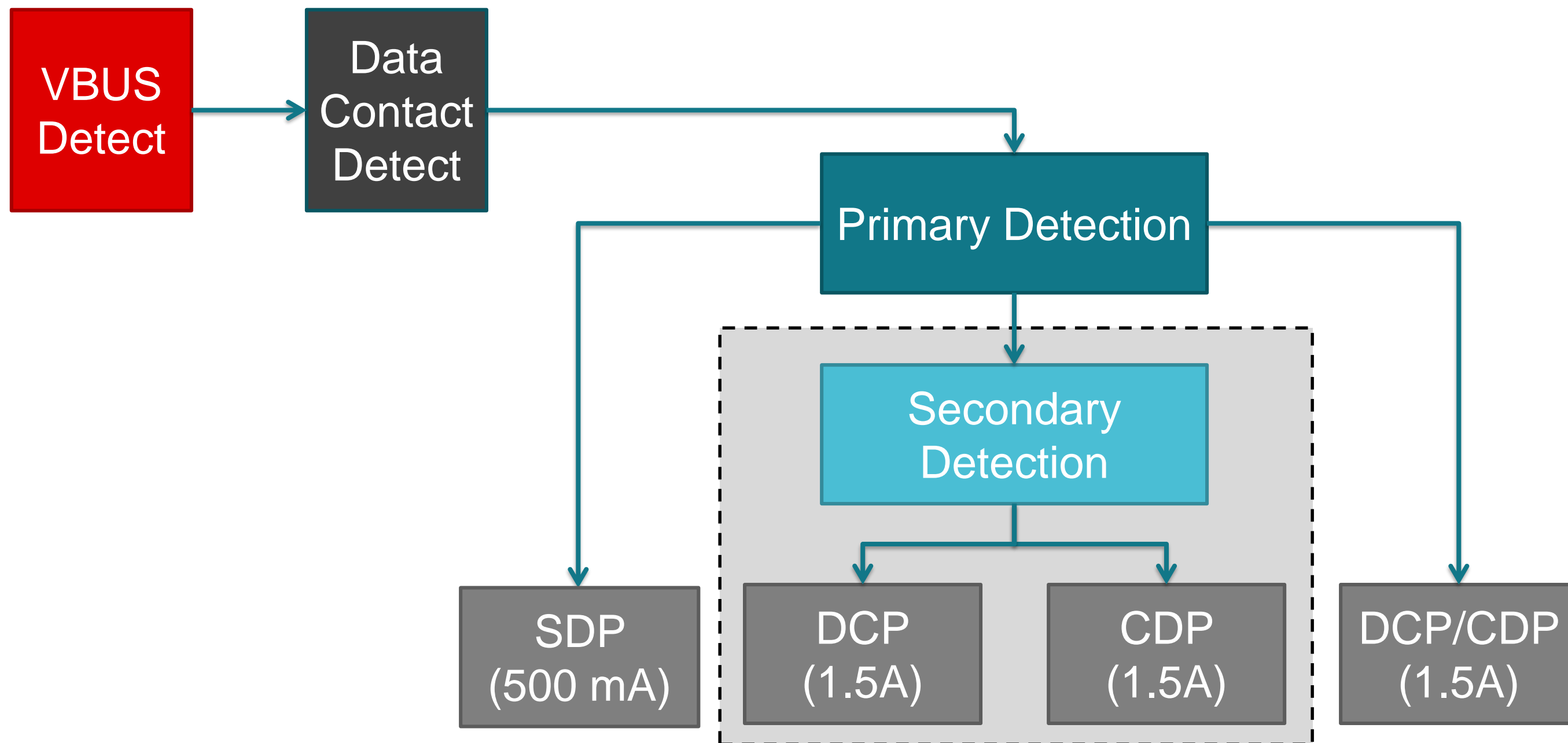
Charger detection by a portable device



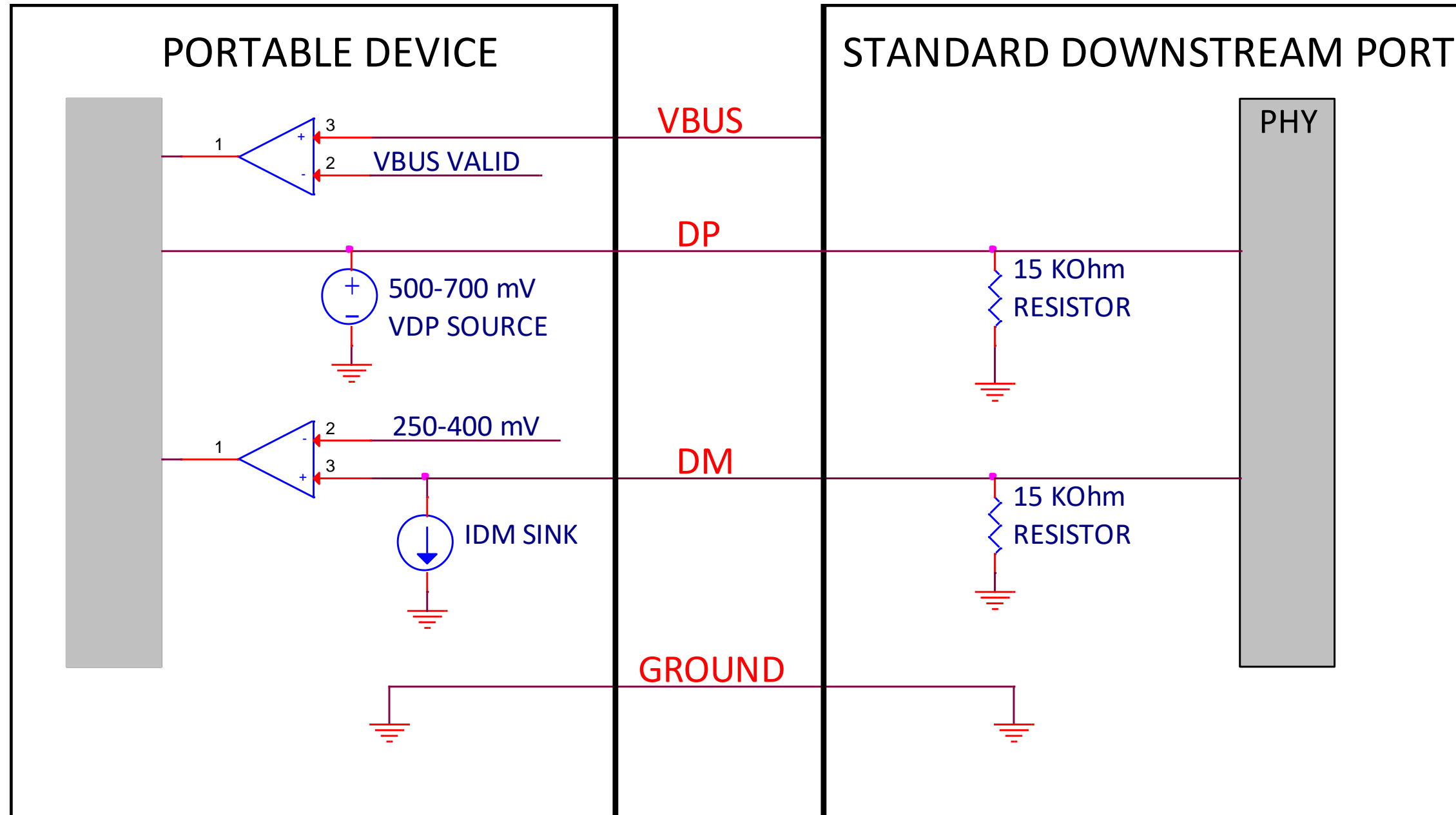
Charger detection by a portable device



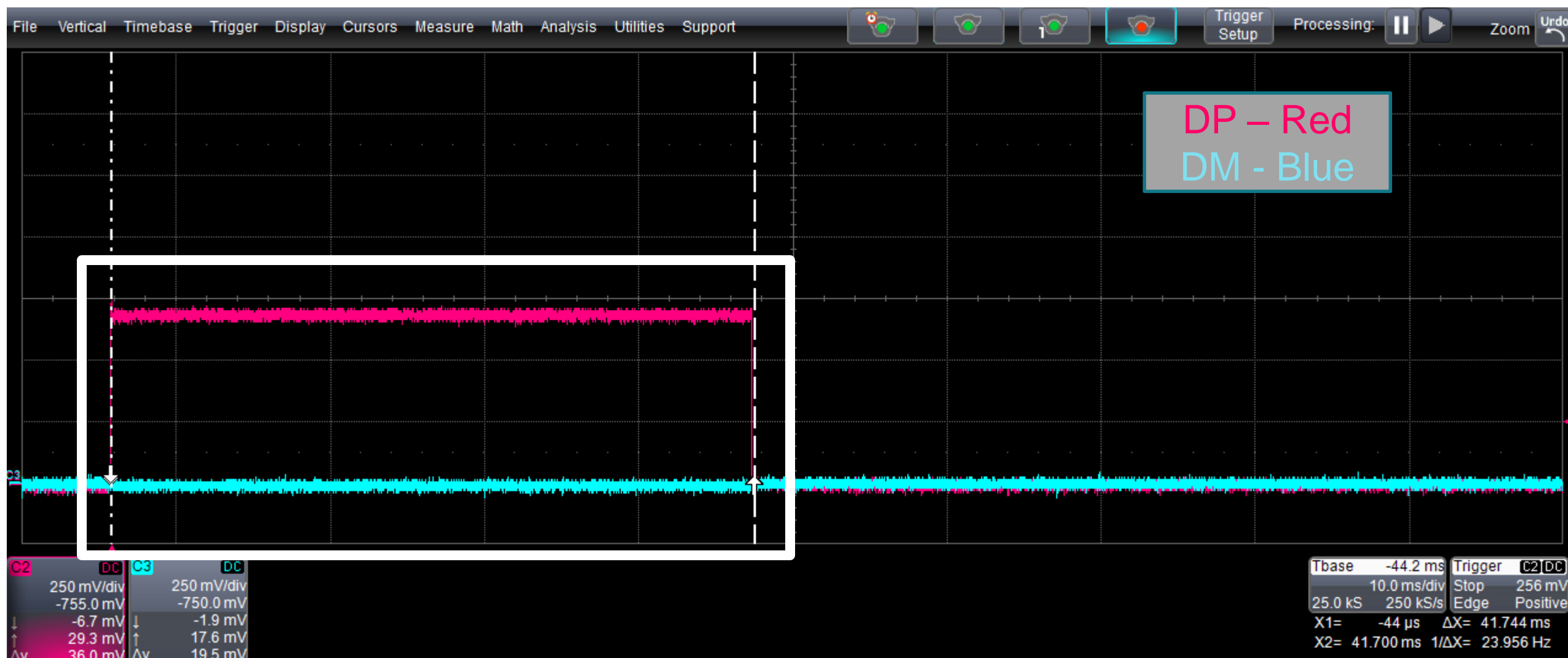
Charger detection by a portable device



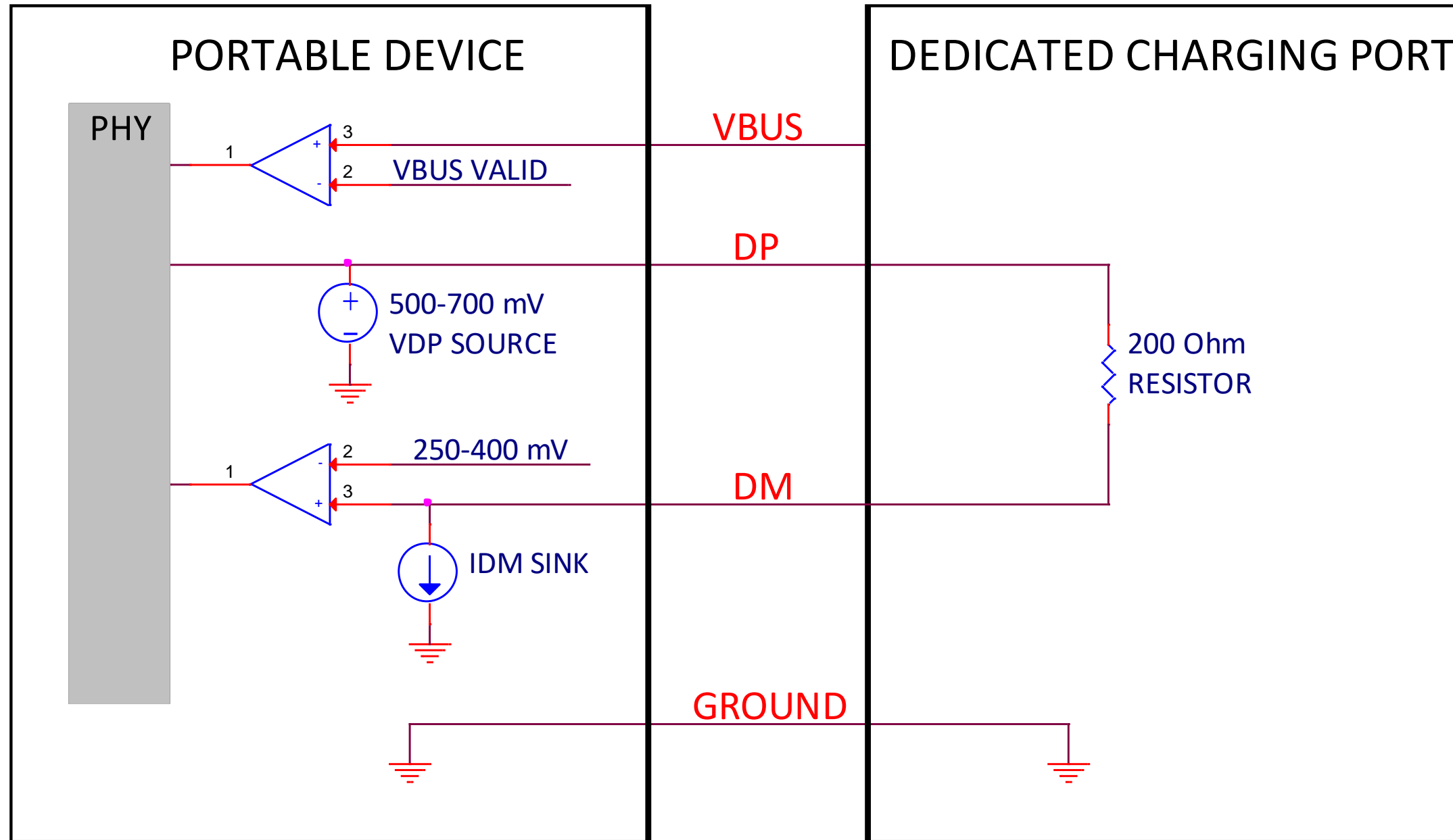
Primary detection: SDP



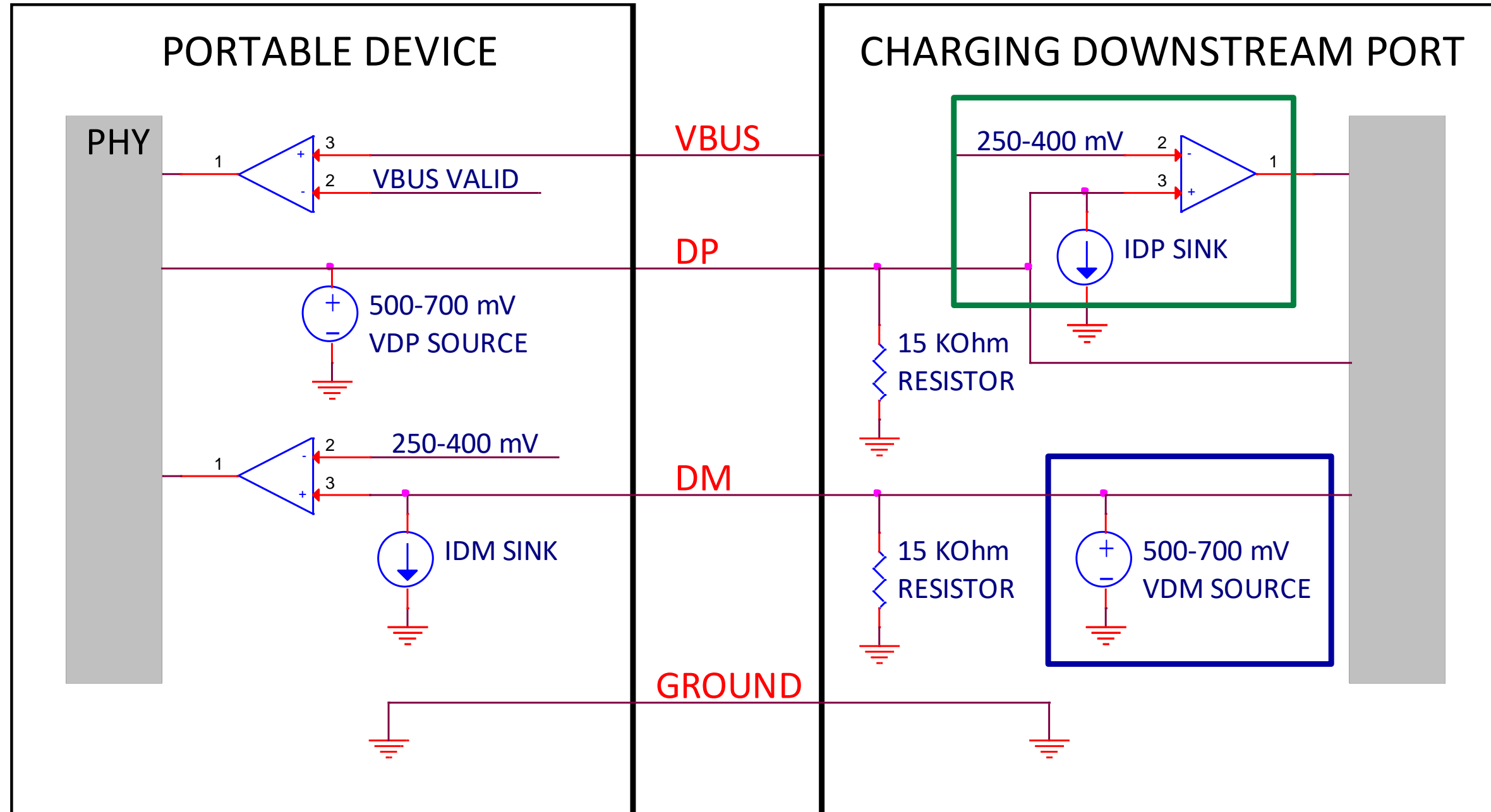
Primary detection: SDP signaling



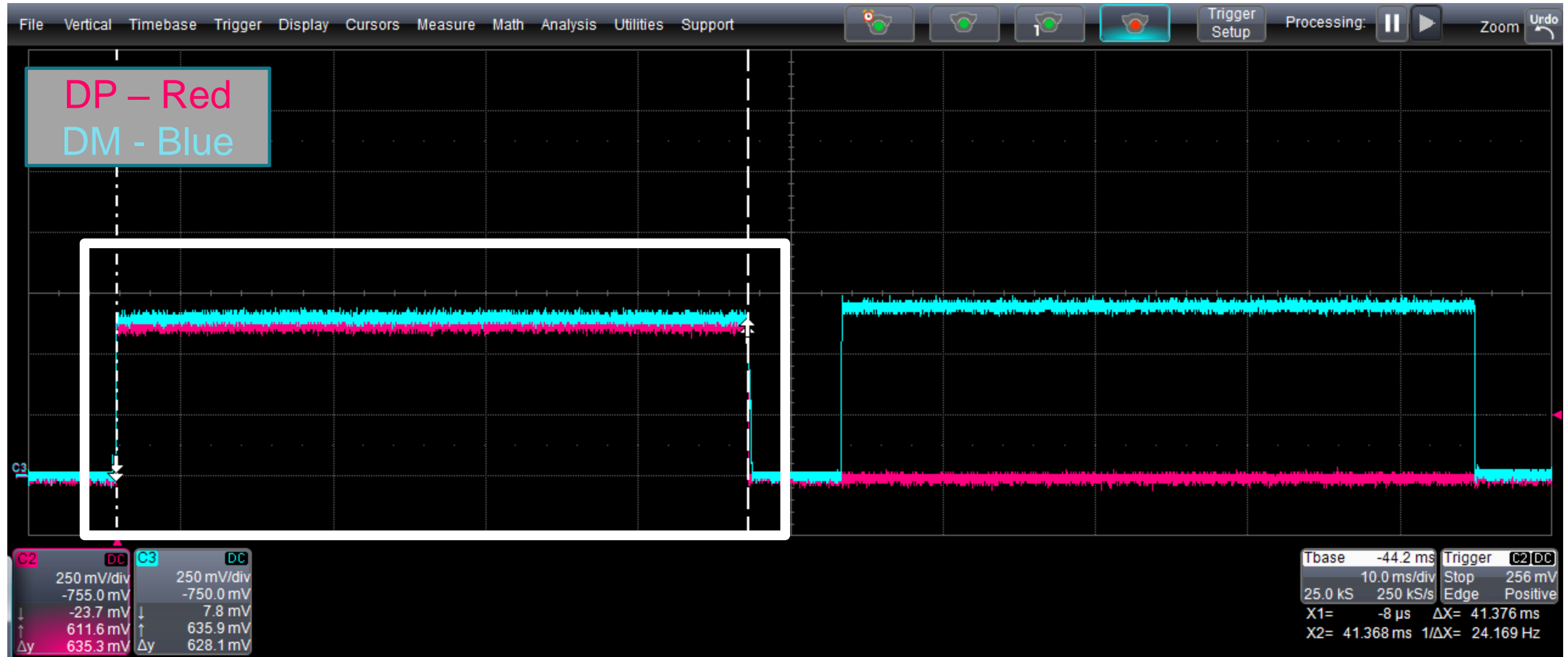
Primary detection: DCP



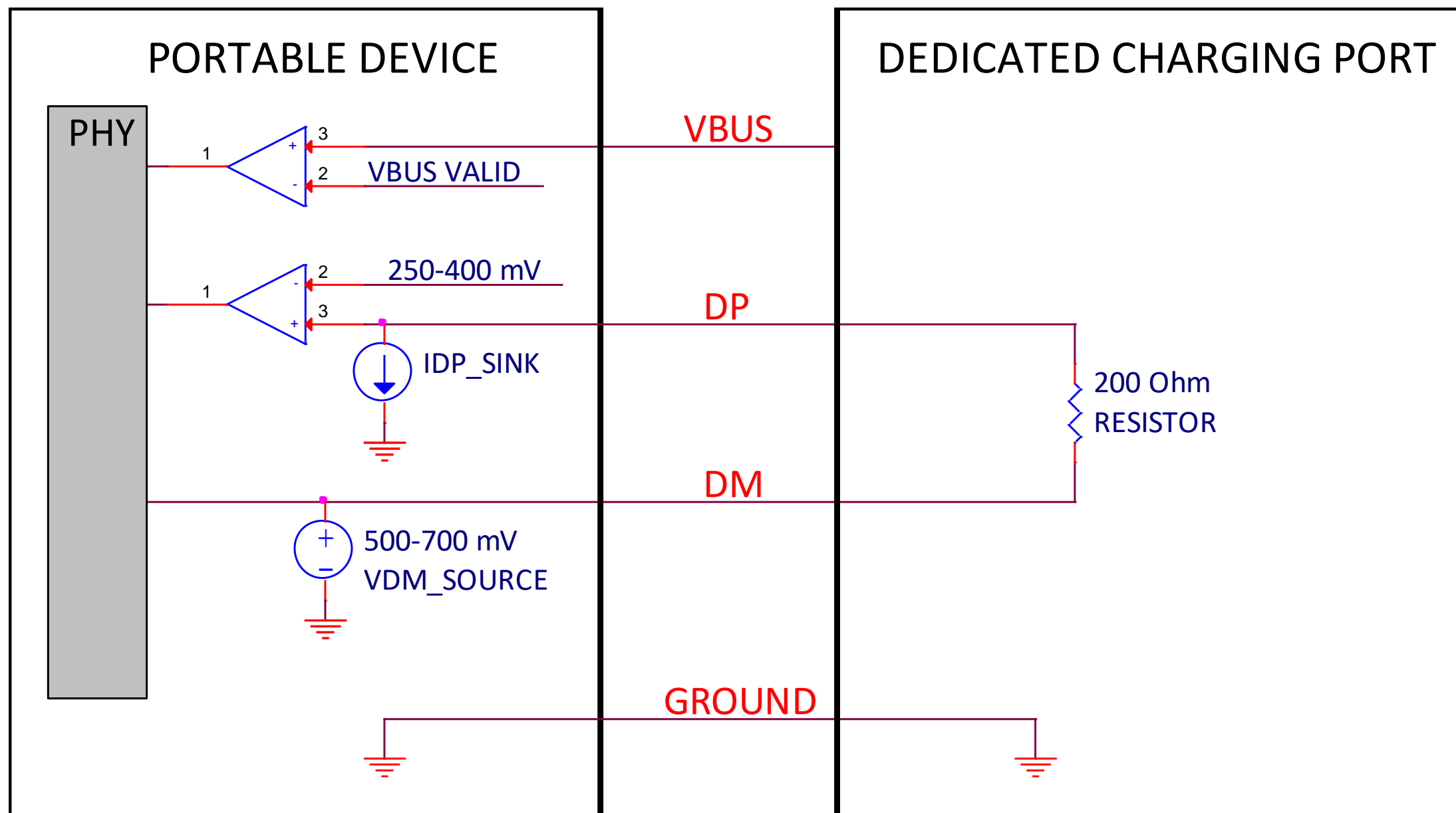
Primary detection: CDP



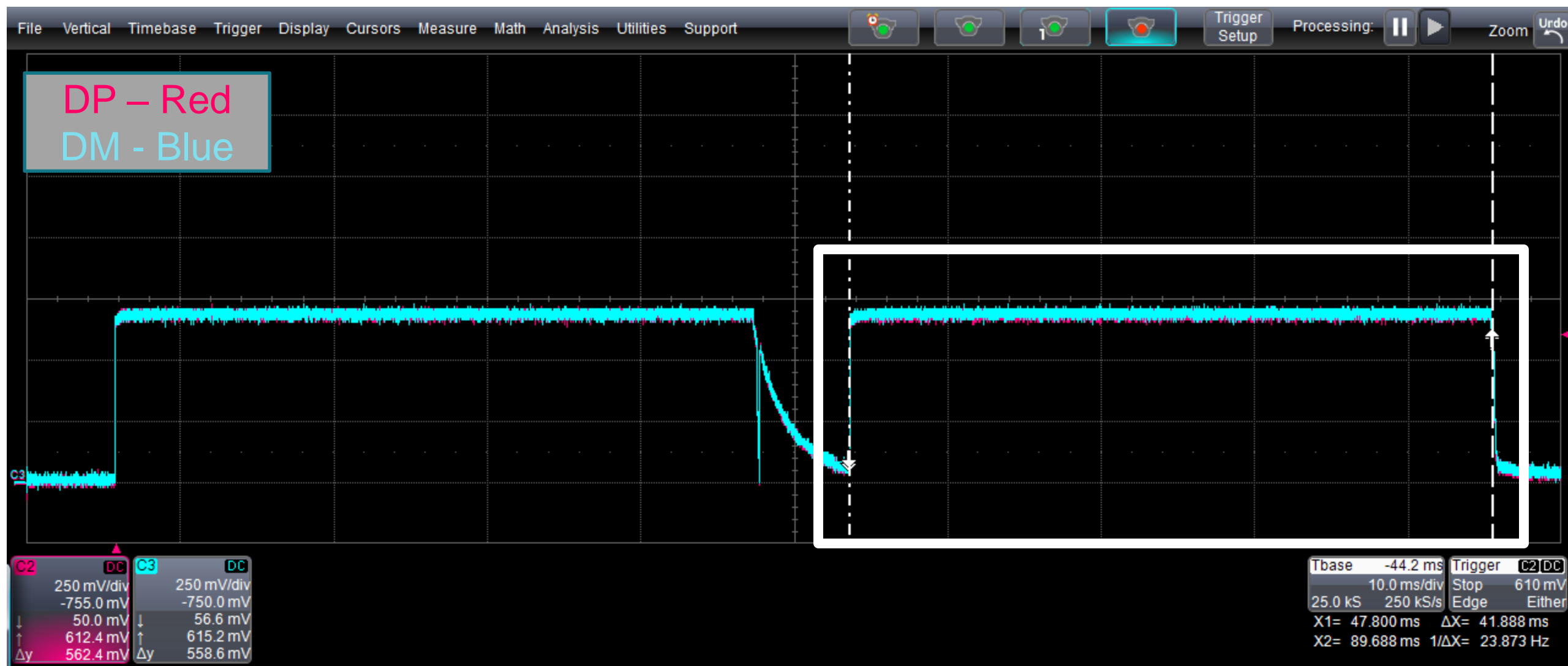
Primary detection: charging port signaling



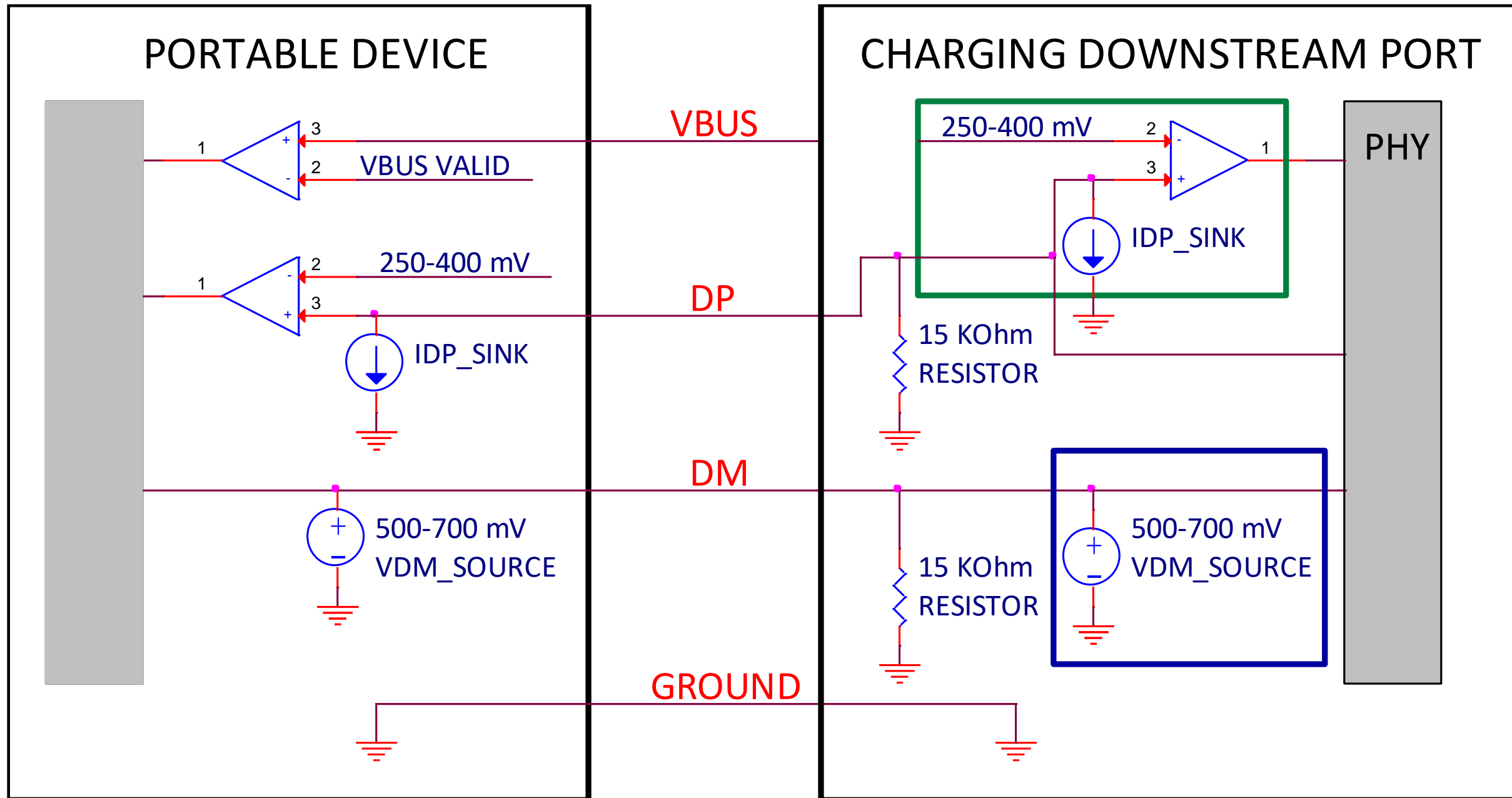
Secondary detection: DCP



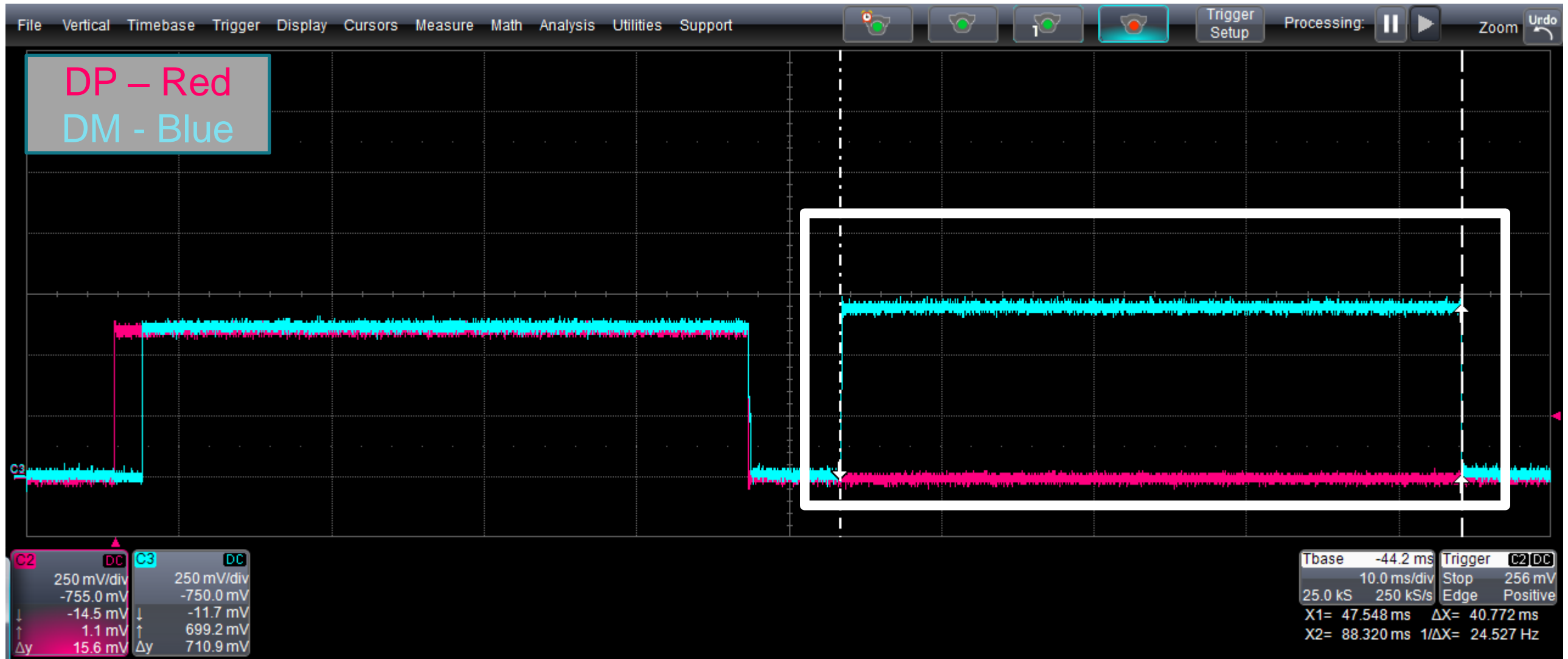
Secondary Detection: DCP signaling



Secondary detection: CDP

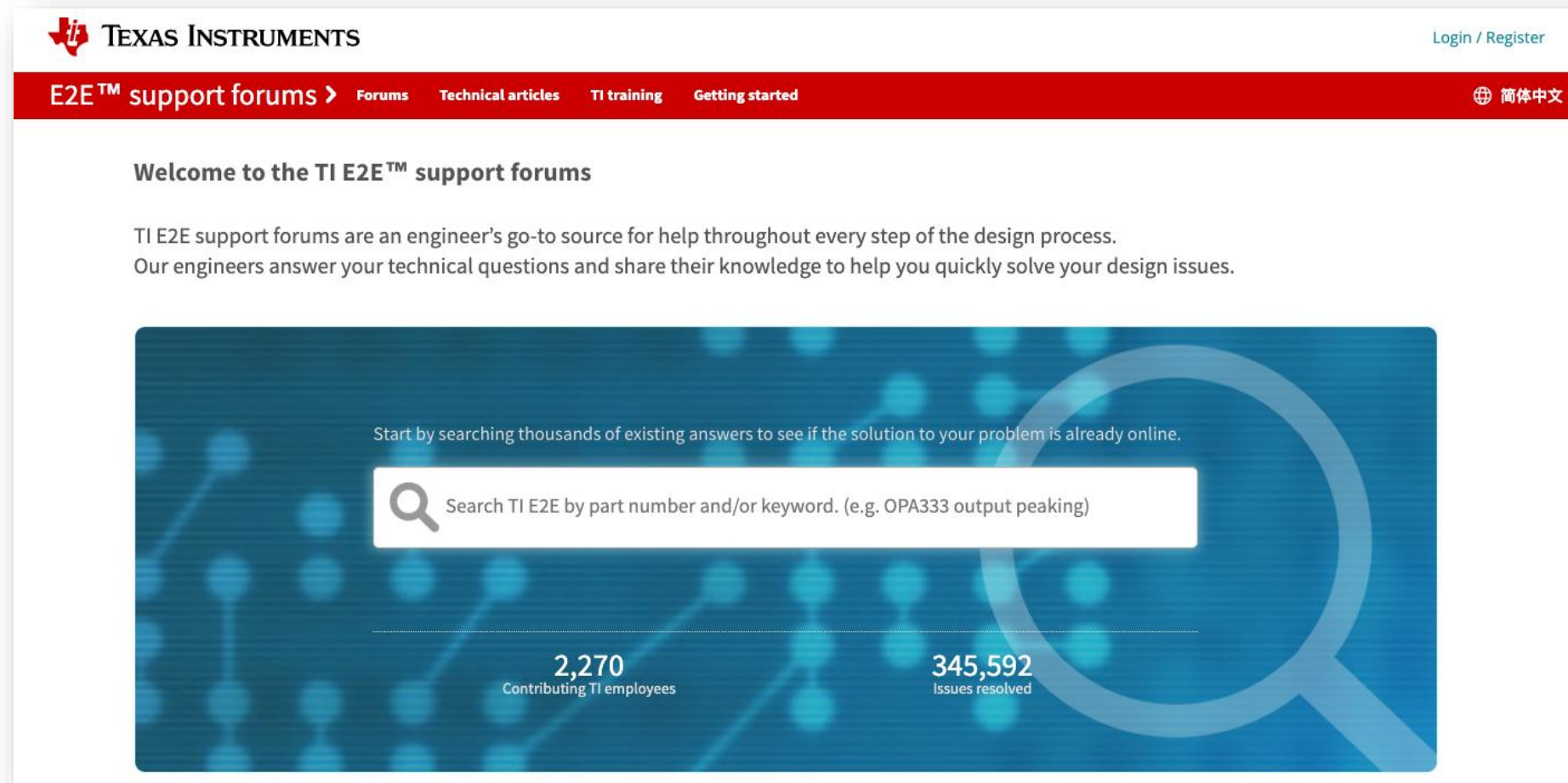


Secondary Detection: CDP signaling



Thank you

- [TI Precision Labs – Layout Basics for USB Designs](#)



The screenshot shows the TI E2E support forums homepage. At the top left is the Texas Instruments logo and the text "TEXAS INSTRUMENTS". To the right is a "Login / Register" link. Below this is a red navigation bar with "E2E™ support forums" and a dropdown arrow, followed by links for "Forums", "Technical articles", "TI training", and "Getting started". On the far right of the bar is a globe icon and the text "简体中文".

The main content area features a heading "Welcome to the TI E2E™ support forums" and a paragraph: "TI E2E support forums are an engineer's go-to source for help throughout every step of the design process. Our engineers answer your technical questions and share their knowledge to help you quickly solve your design issues."

Below this is a large blue banner with a network diagram background and a large magnifying glass icon. The banner contains the text: "Start by searching thousands of existing answers to see if the solution to your problem is already online." Below this is a search input field with a magnifying glass icon and the placeholder text: "Search TI E2E by part number and/or keyword. (e.g. OPA333 output peaking)".

At the bottom of the banner, there are two statistics: "2,270 Contributing TI employees" and "345,592 Issues resolved".



©2021 Texas Instruments Incorporated. All rights reserved.

The material is provided strictly "as-is" for informational purposes only and without any warranty.
Use of this material is subject to TI's **Terms of Use**, viewable at [TI.com](https://www.ti.com)